



RoHS

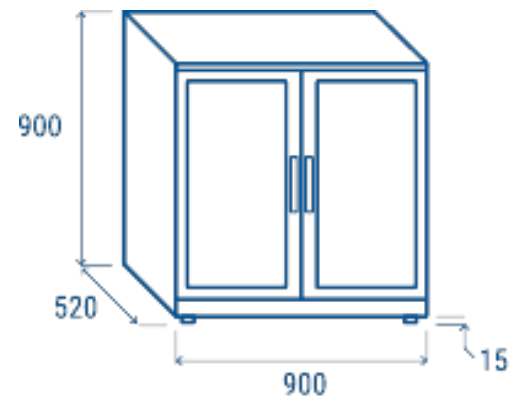


Data sheet

Depth	520 mm
Height	900 mm
Width	900 mm
Inner depth	420 mm
Inner height	750 mm
Inner width	820 mm
Noise level	60 dB(A)
KW/24h	1.9 Kw
Capacity	201 L
Consumption	230 W
Net Weight	62 Kg
Temperature	+1° ~ +10°C

Technical features

- N.2 Hinged door BACK BAR
- Aluminium for internal and black coated steel for external side
- Item with shiny finishing and total height at 900mm
- Roll-bond evaporator system with fan assisted cooling
- Automatic compressor cycle defrost
- Foaming Agent Cyclopentane (40mm per side)
- Digital thermostat
- Self closing door
- Removable Gasket
- Adjustable shelves: 4 Pcs
- Toughened safety tempered glass
- Lock fitted as standard
- Inner horizontal LED light
- N.4 Adjustable feet



Inner assistance fan



Inner LED light