



 pastorfrigor  
ITALIAN STYLE IS COOL



# KALIFORNIA D WITH DOORS

## Multidecks

Versatile merchandising display with efficiency in mind for the display of chilled products the Ecovision conveys design flexibility and sales solutions. Advanced multideck display with bags of options and low energy bills.



## Available colours

1021

6032

3020

7037

9010

5007

7047

9011

7024

2004

9006

# KALIFORNIA ECOVISION Q 400

## Kalifornia D with Doors - Multidecks

### Power supply

Remote

### Climatic classes

3 M1

### Exhibition categories



Chilled drinks



Dairy, milk, cheese



Delicatessen



Packed meat



Ready meals and salads



Sausages & salami



Snacks / Sandwiches

### Standard features

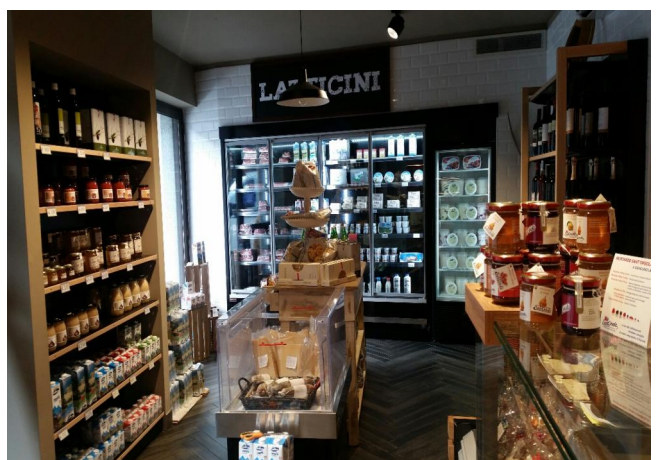
- 5 shelves with price-holder + base
- Digital Thermometer
- Double glass hinged doors
- Electronic control
- Fan assisted cooling
- Mechanic expansion valve
- T5 top Lighting

### Accessories

- CO2 refrigeration system
- Electronic valve
- Internal and external RAL colours
- LED lighting
- Movable and fix divider
- Shelf lighting LED/T5



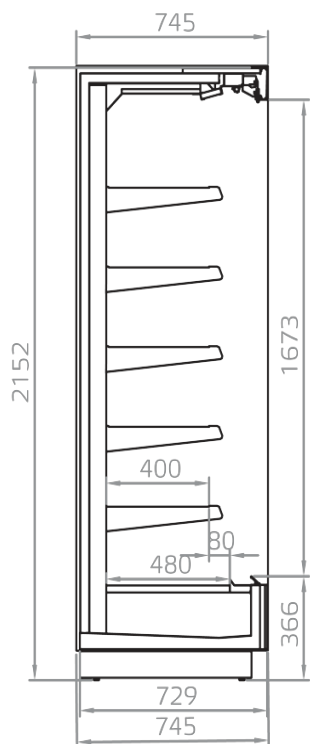
# A SELECTION FROM OUR INSTALLATION



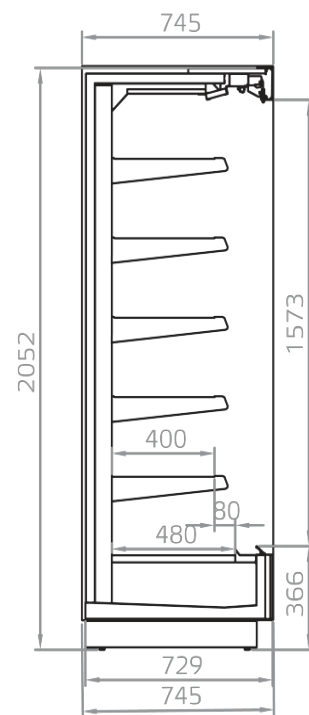


# CROSS SECTIONS

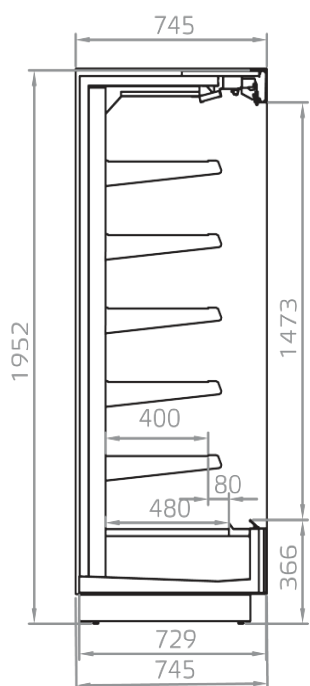
---



KALIFORNIA Q 400/2150 M1,M2



KALIFORNIA Q 400/2050 M1,M2



KALIFORNIA Q 400/1950 M1,M2





Pastorfrigor Spa - 15030 Terruggia (AL) - Italy - Reg. Gabannone, 4 Z.I.

Tel. +39 0142.433.711 - Fax +39 0142.433.701 - [info@pastorfrigor.it](mailto:info@pastorfrigor.it)

P.IVA 00578270068 - REA AL-00578270068

[pastorfrigor.it](http://pastorfrigor.it)